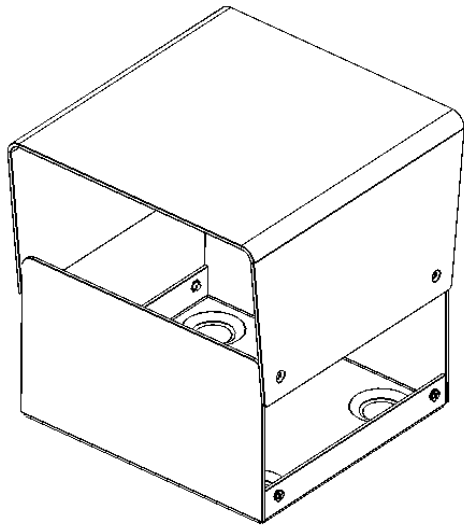
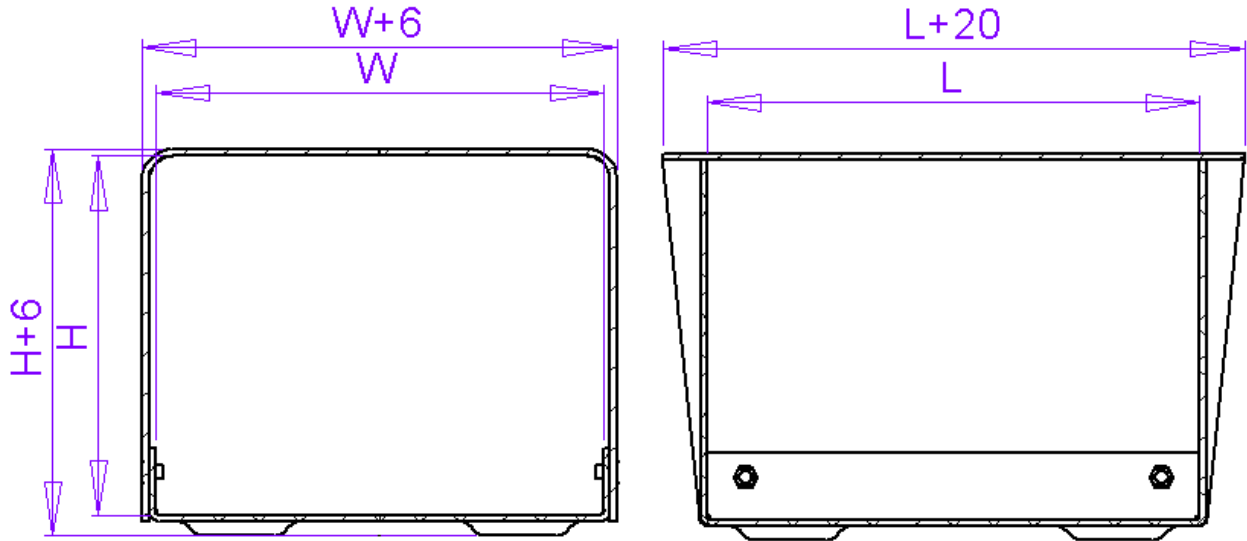




Worldwide OEM equipment supply

**CSTM's Aluminum Project Box - DATASHEET**



**OEMix P/N: CSTM-HD2 - 130x120x80- P-7035**

Elements	Base, Cover (bezeled)		
Int. Dimensions [mm] (Subtract 4mm for margins)	W	L	H
	130	120	80
Ext. Dimensions [mm]	We	Le	He
	136	140	86
Finish	a. Conv. coat MIL-C-5541 Class 3 b. Gray paint RAL#7035		
External Clamping	None		
Al Sheet thickness [mm]	1.5		

For more information please see [www.OEMix.com](http://www.OEMix.com)