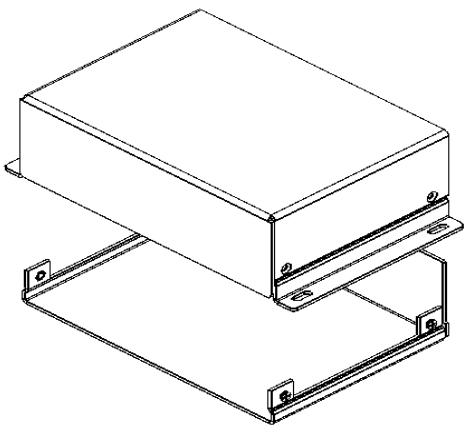
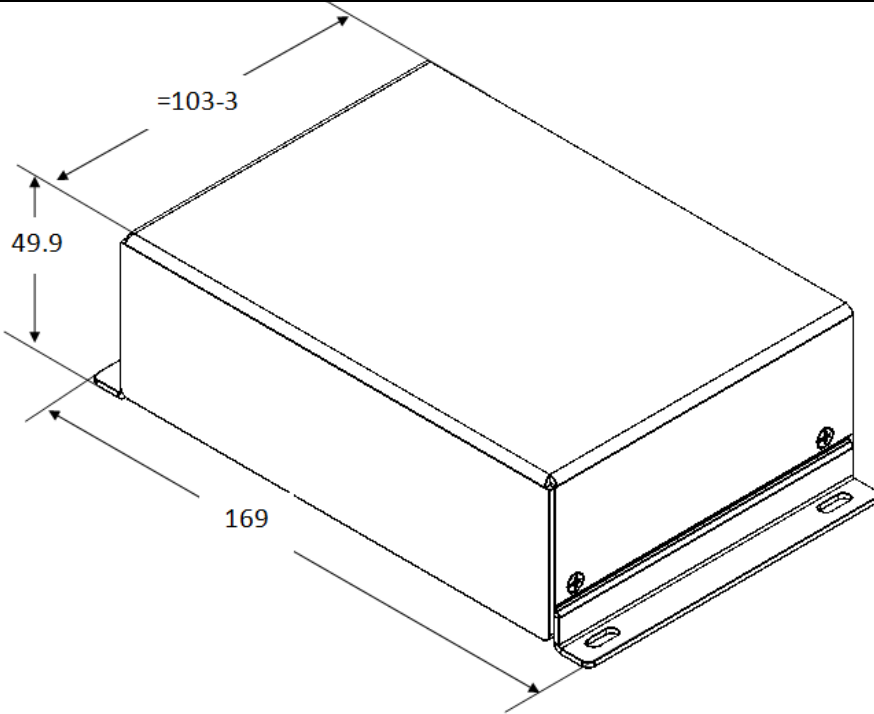




Worldwide OEM equipment supply

**CSTM's Aluminum Project Box - DATASHEET**



**OEMix P/N: CSTM-FR1 - 140X100X44 - P-7035**

Elements	Base, Cover and two panels		
Int. Dimensions [mm] (Subtract 4mm for margins)	W	L	H
	140	100	44
Ext. Dimensions [mm]	W	L	H
	169	103	49.9
Finish	a. Conv. coat MIL-C-5541 Class 3 b. Gray paint RAL#7035		
Clamping	4 elongated slots		
Al Sheet thickness [mm]	1.5		

For more information please see [www.OEMix.com](http://www.OEMix.com)