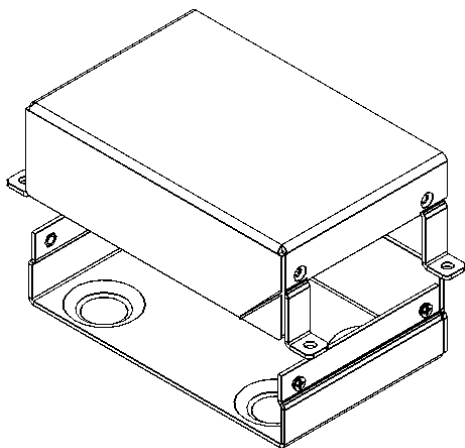
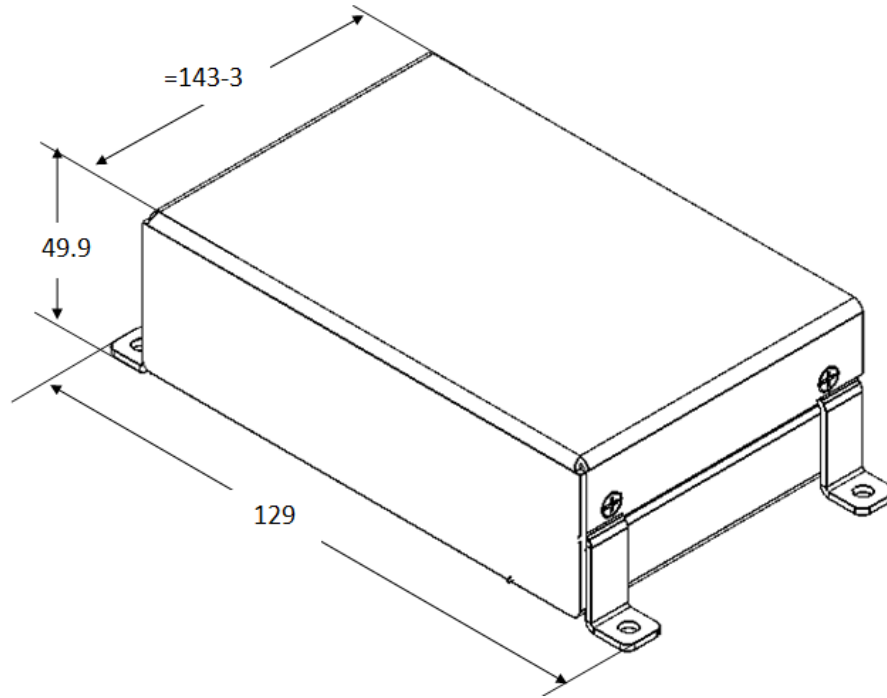




Worldwide OEM equipment supply

**CSTM's Aluminum Project Box - DATASHEET**



**OEMix P/N: CSTM-FRH1 - 115X75X34 - P-7035**

|  |  |    |      |
|--|--|----|------|
| Elements   | Base, Cover  |    |      |
| Int. Dimensions [mm]<br>(Subtract 4mm for margins) | W  | L  | H    |
|  | 115  | 75 | 34   |
| Ext. Dimensions [mm]                               | W  | L  | H    |
|  | 144  | 78 | 39.9 |
| Finish   | a. Conv. coat MIL-C-5541 Class 3<br>b. Gray paint RAL#7035 |    |      |
| Clamping   | 4 anchoring legs w/ screw holes                            |    |      |
| Al Sheet thickness [mm]                            | 1.5  |    |      |

For more information please see [www.OEMix.com](http://www.OEMix.com)