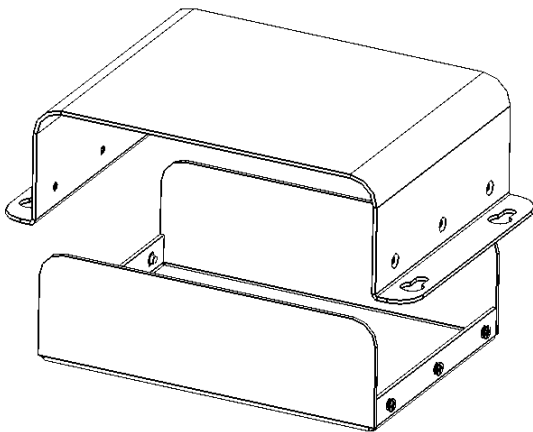
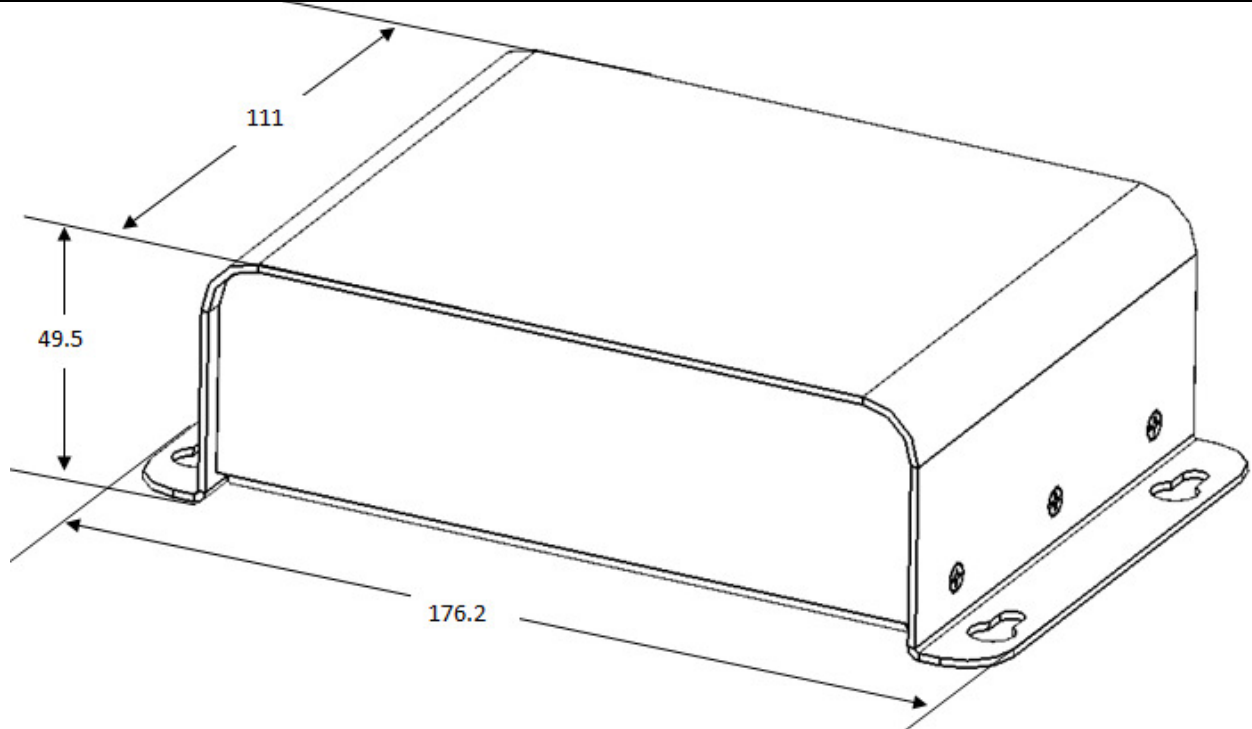




Worldwide OEM equipment supply

CSTM's Aluminum Project Box - DATASHEET



OEMix P/N: CSTM-FT2 - 140x100x44 - P-7035

Elements	Base, Cover		
Int. Dimensions [mm] (Subtract 4mm for margins)	W	L	H
	140	100	44
Ext. Dimensions [mm]	W	L	H
	176.2	111	49.5
Finish	a. Conv. coat MIL-C-5541 Class 3 b. Gray paint RAL#7035		
Clamping	4 Keyhole slots		
Al Sheet thickness [mm]	1.5		

For more information please see www.OEMix.com