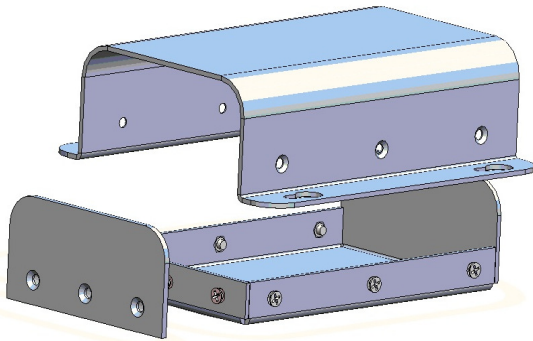
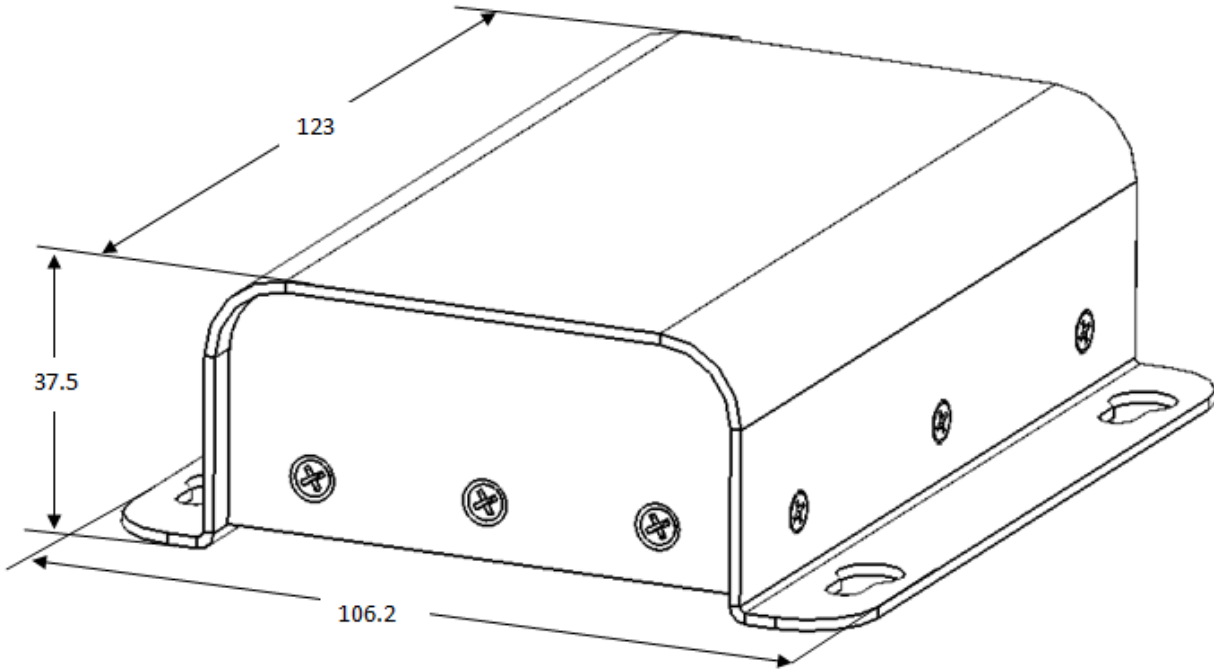




Worldwide OEM equipment supply

CSTM's Aluminum Project Box - DATASHEET



OEMix P/N: CSTM-FT3 - 70x110x32 - P-7035

Elements	Base, Cover, Panel
Int. Dimensions [mm] (Subtract 4mm for margins)	W 70 X L 110 X H 32
Ext. Dimensions [mm]	W 106.2 X L 123 X H 37.5
Finish	a. Conv. coat MIL-C-5541 Class 3 b. Gray PU paint RAL #7035
Clamping	4 Keyhole slots (panel up)
Al Sheet thickness [mm]	1.5

For more information please see www.OEMix.com