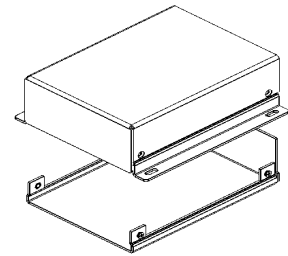




CSTM
R&D Solutions



Data Sheet and Selection Table for FR1 Series

FR1 Features:

Design: rectangular

Parts: Base, cover

Material: Al sheet 1.5mm

Finishing: Anodize, Passivation, Paint

Support: Continuous side anchors

Base: slightly elevated from clamping surface

Clamping: 4 elongated slots for alignment (along box's length)

Selection: PCB "Length" - under 145mm, PCB area - under 142 cm²

Protruding components: possible on opposite PCB sides along box "Length"

Use the following P/N field definition for ordering:

CSTM - **FR1** - **WxLxH** - **A\P\C** - **Alphanumeric**

CSTM - fixed Prefix

FR1 - series indicator Prefix

WxLxH - is the "Mid P/N" defined by the inner dimensions WxLxH

A\P\C - finishing options: Anodize\Paint\Coating

Alphanumeric - takes paint RAL color No. or Anodize color

Finishing options defined by the A\P\C field:

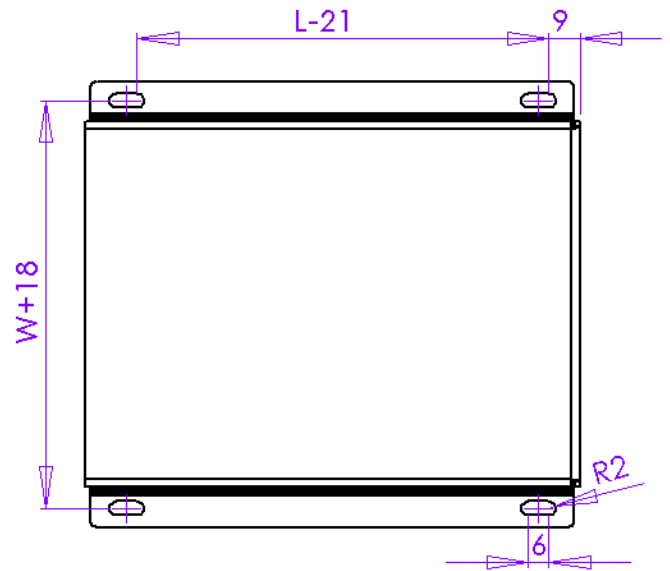
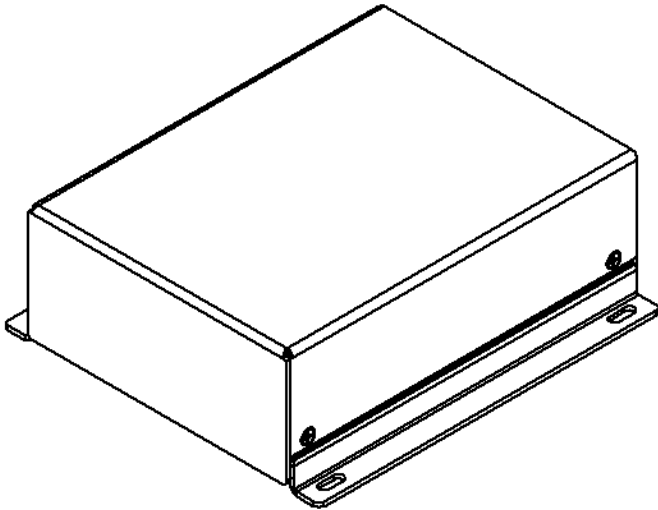
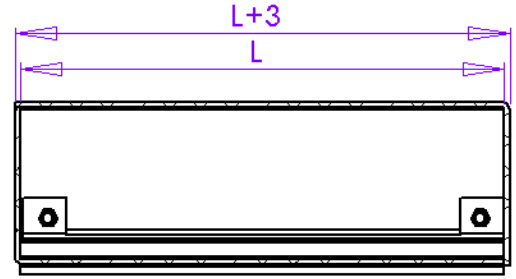
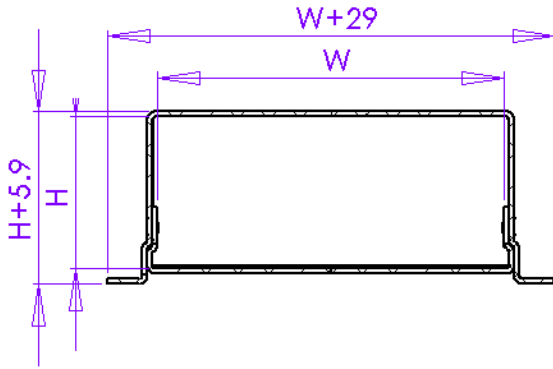
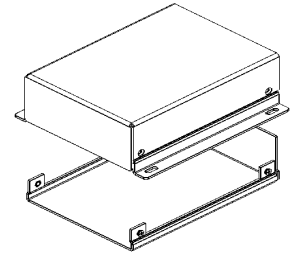
A - Anodize: According to MIL-A-8625. Select Anodize color (Black, Natural, Gold, Brown)

P - PU paint upon a passivation layer. Selection of any RAL No. (default 7035)

C - Conversion Coating passivation according to MIL-C-5541E Class 3 (Yellowish)

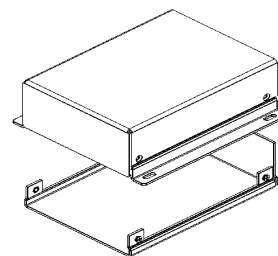


CSTM
R&D Solutions





CSTM
R&D Solutions



CSTM's Aluminum Project Boxes - FR1 Series - Selection Table

#	Mid P/N	Internal Dimensions			Useful Area [cm ²]	External Dimensions			Useful Int. Vol CC	Weight gr	Unit price break \$US/pc				
		W [mm]	L [mm]	H [mm]		W _E =W+29 [mm]	L _E =L+3 [mm]	H _E =H+5.9 [mm]			5 pc	25 pc	100 pc	300 pc	1000 pc
1	55x95x26	55	95	26	46	84	98	31.9	107	99					
2	60x100x28	60	100	28	54	89	103	33.9	134	111					
3	65x105x30	65	105	30	62	94	108	35.9	166	124					
4	70x110x32	70	110	32	70	99	113	37.9	203	137					
5	75x115x34	75	115	34	79	104	118	39.9	244	152					
6	80x120x36	80	120	36	88	109	123	41.9	291	167					
7	85x125x38	85	125	38	98	114	128	43.9	343	183					
8	90x130x40	90	130	40	108	119	133	45.9	401	200					
9	95x135x42	95	135	42	119	124	138	47.9	465	217					
10	100x140x44	100	140	44	131	129	143	49.9	535	235					
11	105x145x46	105	145	46	142	134	148	51.9	612	254					
12	110x70x32	110	70	32	70	139	73	37.9	203	130					
13	115x75x34	115	75	34	79	144	78	39.9	244	144					
14	120x80x36	120	80	36	88	149	83	41.9	291	159					
15	125x85x38	125	85	38	98	154	88	43.9	343	175					
16	130x90x40	130	90	40	108	159	93	45.9	401	192					
17	135x95x42	135	95	42	119	164	98	47.9	465	209					
18	140x100x44	140	100	44	131	169	103	49.9	535	227					
19	145x105x46	145	105	46	142	174	108	51.9	612	246					