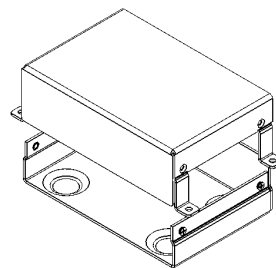




CSTM  
R&D Solutions



## Data Sheet and Selection Table for FRH1 Series

### FRH1 Features:

**Design:** Rectangular box

**Parts:** Base, cover

**Material:** Al sheet 1.5mm

**Finishing:** Anodize, Passivation, Paint

**Support:** Bulges under base

**Clamping:** Screw holes in 4 anchoring legs

**Selection:** PCB "Length" - under 145mm, PCB area - under 142 cm<sup>2</sup>

**Protruding components:** possible on opposite PCB sides along box "Length"

### Use the following P/N field definition for ordering:

**CSTM** - **FRH1** - **WxLxH** - **A\P\C** - **Alphanumeric**

**CSTM** - fixed Prefix

**FRH1** - series indicator Prefix

**WxLxH** - is the "Mid P/N" defined by the inner dimensions WxLxH

**A\P\C** - finishing options: Anodize\Paint\Coating

**Alphanumeric** - takes paint RAL color No. or Anodize color

### Finishing options defined by the A\P\C field:

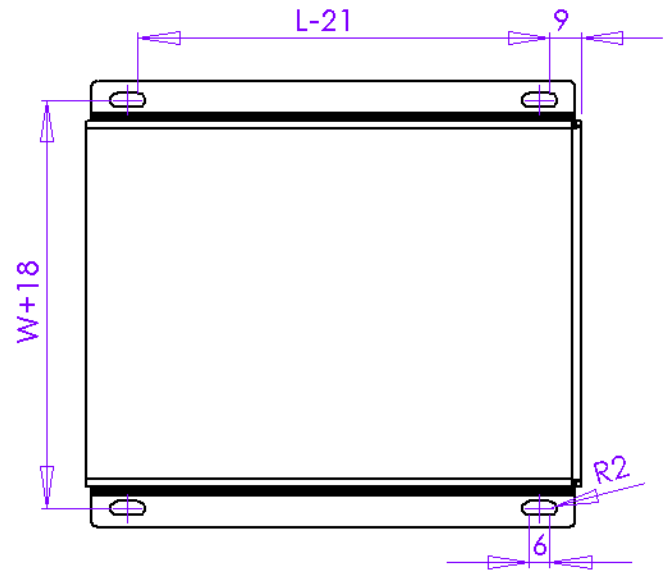
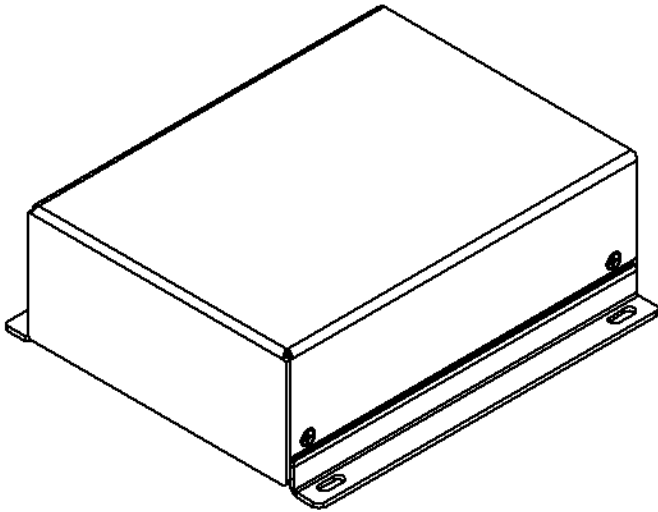
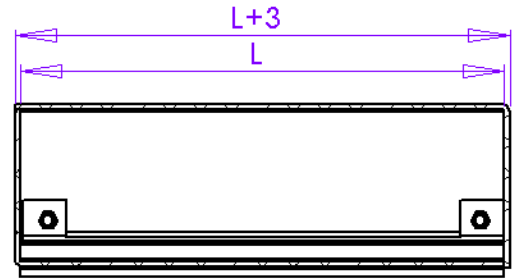
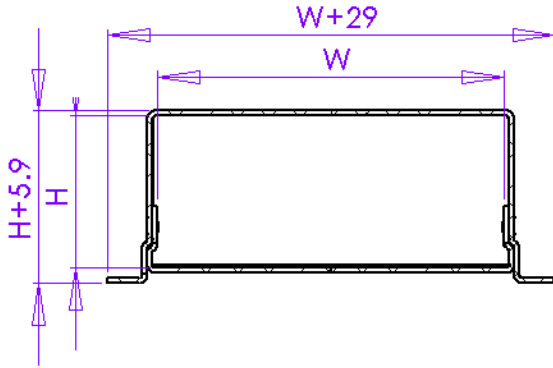
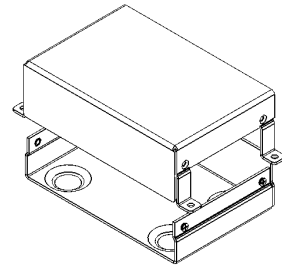
A - Anodize: According to MIL-A-8625. Select Anodize color (Black, Natural, Gold, Brown)

P - PU paint upon a passivation layer. Selection of any RAL No. (default 7035)

C - Conversion Coating passivation according to MIL-C-5541E Class 3 (Yellowish)

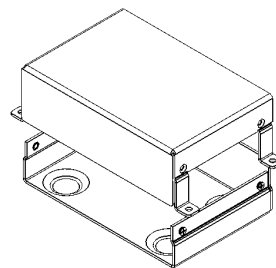


CSTM  
R&D Solutions





CSTM  
R&D Solutions



**CSTM's Aluminum Project Boxes - FRH1 Series - Selection Table**

#	Mid P/N	Internal Dimensions			Useful Area [cm <sup>2</sup> ]	External Dimensions			Useful Int. Vol CC	Weight gr	Unit price break \$US/pc				
		W [mm]	L [mm]	H [mm]		W <sub>E</sub> =W+29 [mm]	L <sub>E</sub> =L+3 [mm]	H <sub>E</sub> =H+5.9 [mm]			5 pc	25 pc	100 pc	300 pc	1000 pc
1	85x125x38	85	125	38	98	114	128	43.9	343	176					
2	90x130x40	90	130	40	108	119	133	45.9	401	192					
3	95x135x42	95	135	42	119	124	138	47.9	465	209					
4	100x140x44	100	140	44	131	129	143	49.9	535	227					
5	105x145x46	105	145	46	142	134	148	51.9	612	245					
6	115x75x34	115	75	34	79	144	78	39.9	244	142					
7	120x80x36	120	80	36	88	149	83	41.9	291	156					
8	125x85x38	125	85	38	98	154	88	43.9	343	172					
9	130x90x40	130	90	40	108	159	93	45.9	401	188					
10	135x95x42	135	95	42	119	164	98	47.9	465	205					
11	140x100x44	140	100	44	131	169	103	49.9	535	222					
12	145x105x46	145	105	46	142	174	108	51.9	612	241					