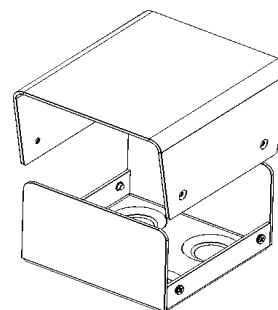




CSTM
R&D Solutions



Data Sheet and selection table for HD2 Series

HD2 Features:

Design: Rectangular box, bezel cover

Parts: U shaped Base and cover

Material: Al sheet 1.5mm

Finishing: Anodize, Passivation, Paint

Support: 4 bulged stands on base

External Clamping: None

Selection: PCB "Length" - under 150mm, PCB area - under 172 cm²

Protruding components: possible on one side of the PCB

Use the following P/N field definition for ordering:

CSTM - **HD2** - **WxLxH** - **A\P\C** - **Alphanumeric**

CSTM - fixed Prefix

HD2 - series indicator Prefix

WxLxH - is the "Mid P/N" defined by the inner dimensions WxLxH

A\P\C - finishing options: Anodize\Paint\Coating

Alphanumeric - takes paint RAL color No. or Anodize color

Finishing options defined by the A\P\C field:

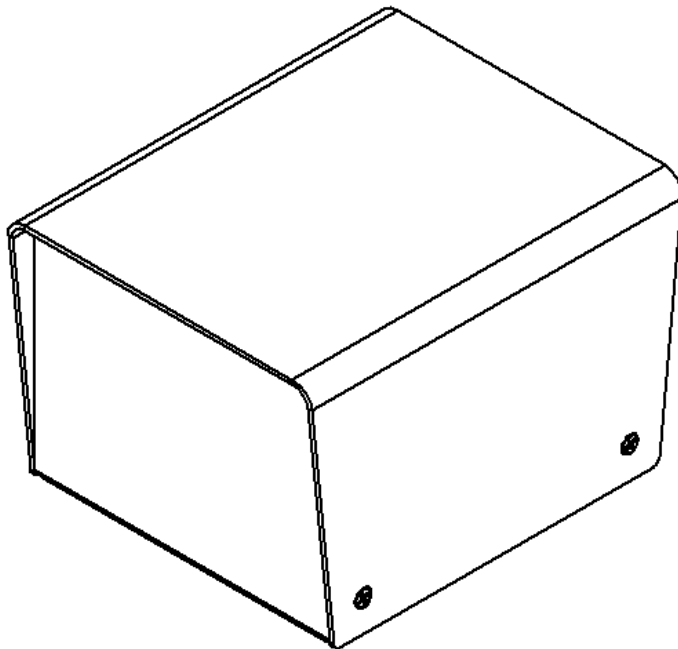
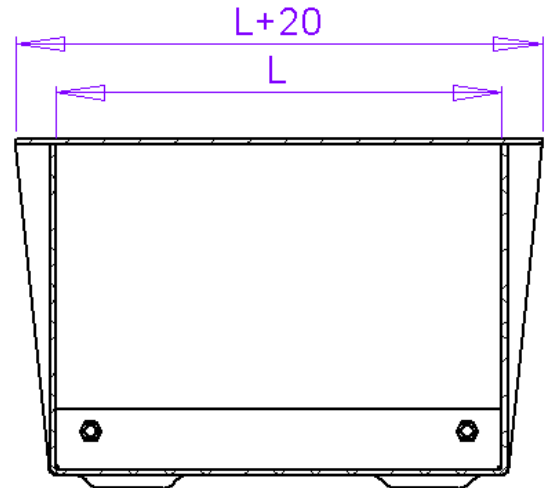
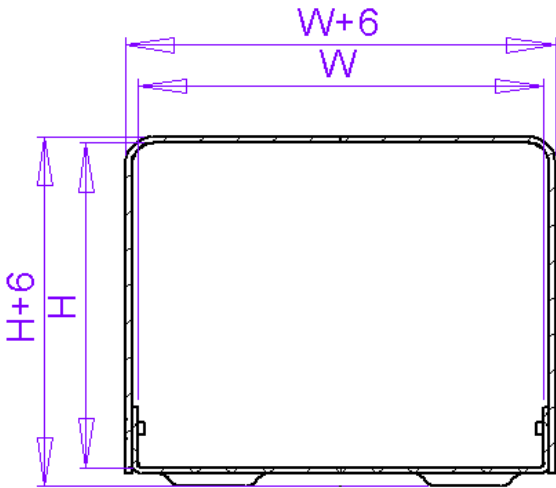
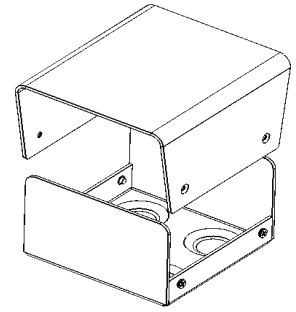
A - Anodize: According to MIL-A-8625. Select Anodize color (Black, Natural, Gold, Brown)

P - PU paint upon a passivation layer. Selection of any RAL No. (default 7035)

C - Conversion Coating passivation according to MIL-C-5541E Class 3 (Yellowish)

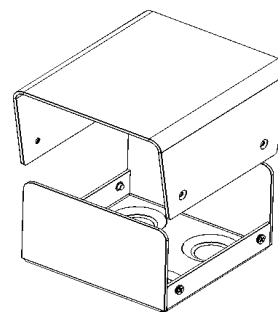


CSTM
R&D Solutions





CSTM
R&D Solutions



CSTM's Aluminum Project Boxes - HD2 Series - Selection Table

#	Mid P/N	Internal Dimensions			Useful Area [cm ²]	External Dimensions			Useful Int. Vol CC	Weight gr	Unit price break \$US/pc				
		W [mm]	L [mm]	H [mm]		W _E =W+6 [mm]	L _E =L+20 [mm]	H _E =H+6 [mm]			5 pc	25 pc	100 pc	300 pc	1000 pc
1	80x80x50	80	80	50	59	86	100	56	279	143					
2	80x80x60	80	80	60	59	86	100	66	338	156					
3	80x90x50	80	90	50	67	86	110	56	315	153					
4	80x100x60	80	100	60	75	86	120	66	426	178					
5	90x90x60	90	90	60	76	96	110	66	431	182					
6	90x100x60	90	100	60	84	96	120	66	481	194					
7	100x90x70	100	90	70	84	106	110	76	565	215					
8	100x100x70	100	100	70	94	106	120	76	630	228					
9	100x100x80	100	100	80	94	106	120	86	724	244					
10	100x110x70	100	110	70	104	106	130	76	695	241					
11	100x110x80	100	110	80	104	106	130	86	799	258					
12	110x100x70	110	100	70	104	116	120	76	695	244					
13	110x120x70	110	120	70	125	116	140	76	839	271					
14	110x140x70	110	140	70	147	116	160	76	982	301					
15	120x140x90	120	140	90	160	126	160	96	1395	362					
16	120x150x90	120	150	90	172	126	170	96	1496	378					
17	130x120x80	130	120	80	149	136	140	86	1144	330					