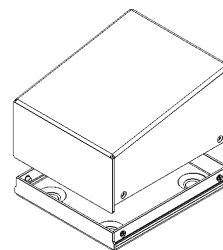




CSTM
R&D Solutions



Data Sheet and Selection Table for INC1 Series

INC1 Features:

Design: Inclined box

Parts: Base, cover

Material: Al sheet 1.5mm

Finishing: Anodize, Passivation, Paint

Support: Bulges under base

Clamping: Not meant for clamping

Selection: PCB "Length" - under 120mm, PCB area - under 144 cm²

Protruding components: possible on opposite PCB sides along box "Length"

Use the following P/N field definition for ordering:

CSTM - **INC1** - **WxLxH** - **A\P\C** - **Alphanumeric**

CSTM - fixed Prefix

INC1 - series indicator Prefix

WxLxH - is the "Mid P/N" defined by the inner dimensions WxLxH

A\P\C - finishing options: Anodize\Paint\Coating

Alphanumeric - takes paint RAL color No. or Anodize color

Finishing options defined by the A\P\C field:

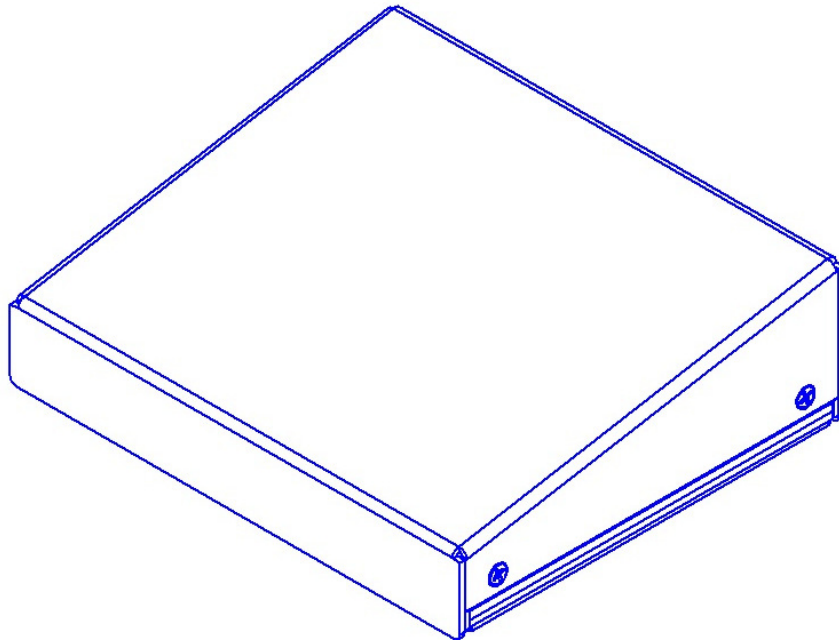
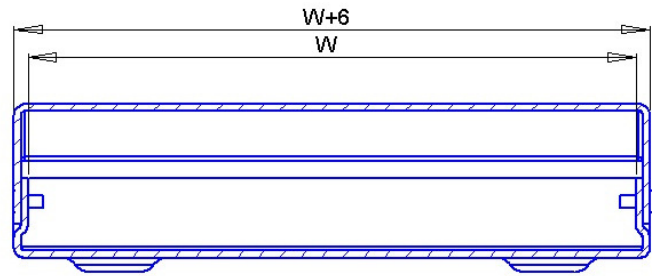
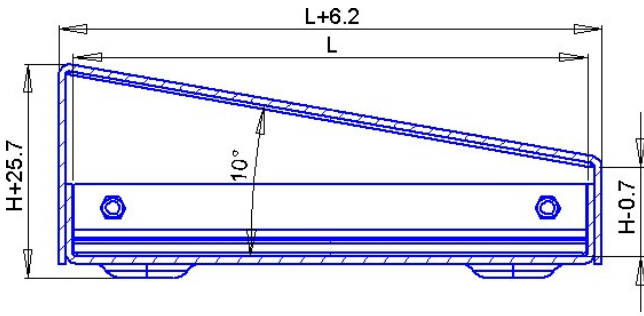
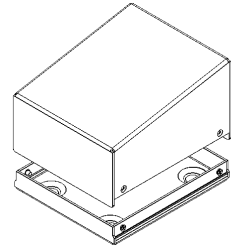
A - Anodize: According to MIL-A-8625. Select Anodize color (Black, Natural, Gold, Brown)

P - PU paint upon a passivation layer. Selection of any RAL No. (default 7035)

C - Conversion Coating passivation according to MIL-C-5541E Class 3 (Yellowish)

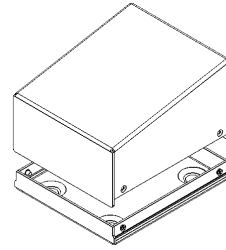


CSTM
R&D Solutions





CSTM
R&D Solutions



CSTM's Aluminum Project Boxes - INC1 Series - Selection Table

| # | Mid P/N | Internal Dimensions | | | Useful Area [cm ²] | External Dimensions | | | Useful Int. Vol CC | Weight gr | Unit price break \$US/pc | | | | |
|----|------------|---------------------|-----------|-----------|-----------------------------------|--------------------------------|----------------------------------|-----------------------------------|-----------------------|--------------|--------------------------|----------|-----------|-----------|------------|
| | | W [mm] | L [mm] | H [mm] | | W _E =W+6 [mm] | L _E =L+6.2 [mm] | H _E =H+25.9 [mm] | | | 5 pc | 25 pc | 100 pc | 300 pc | 1000 pc |
| 1 | 100X120X50 | 100 | 120 | 50 | 111 | 106 | 126.2 | 75.7 | 622 | 244 | | | | | |
| 2 | 110X120X50 | 110 | 120 | 50 | 123 | 116 | 126.2 | 75.7 | 687 | 260 | | | | | |
| 3 | 120X120X50 | 120 | 120 | 50 | 135 | 126 | 126.2 | 75.7 | 752 | 276 | | | | | |
| 4 | 130X110X20 | 130 | 110 | 20 | 134 | 136 | 116.2 | 45.7 | 334 | 214 | | | | | |
| 5 | 130X110X30 | 130 | 110 | 30 | 134 | 136 | 116.2 | 55.7 | 467 | 234 | | | | | |
| 6 | 130X110X40 | 130 | 110 | 40 | 134 | 136 | 116.2 | 65.7 | 601 | 254 | | | | | |
| 7 | 130X110X50 | 130 | 110 | 50 | 134 | 136 | 116.2 | 75.7 | 735 | 274 | | | | | |
| 8 | 130X110X60 | 130 | 110 | 60 | 134 | 136 | 116.2 | 85.7 | 868 | 294 | | | | | |
| 9 | 140X100X20 | 140 | 100 | 20 | 131 | 146 | 106.2 | 45.7 | 315 | 210 | | | | | |
| 10 | 140X100X30 | 140 | 100 | 30 | 131 | 146 | 106.2 | 55.7 | 445 | 230 | | | | | |
| 11 | 140X100X40 | 140 | 100 | 40 | 131 | 146 | 106.2 | 65.7 | 576 | 250 | | | | | |
| 12 | 140X100X50 | 140 | 100 | 50 | 131 | 146 | 106.2 | 75.7 | 707 | 270 | | | | | |
| 13 | 140X110X60 | 140 | 110 | 40 | 144 | 146 | 116.2 | 65.7 | 649 | 311 | | | | | |
| 14 | 150X100X20 | 150 | 100 | 20 | 140 | 156 | 106.2 | 45.7 | 338 | 222 | | | | | |
| 15 | 150X100X30 | 150 | 100 | 30 | 140 | 156 | 106.2 | 55.7 | 478 | 243 | | | | | |
| 16 | 150X100X40 | 150 | 100 | 40 | 140 | 156 | 106.2 | 65.7 | 618 | 264 | | | | | |
| 17 | 150X100X50 | 150 | 100 | 50 | 140 | 156 | 106.2 | 75.7 | 758 | 285 | | | | | |
| 18 | 150X100X70 | 150 | 100 | 70 | 140 | 156 | 106.2 | 95.7 | 1039 | 349 | | | | | |